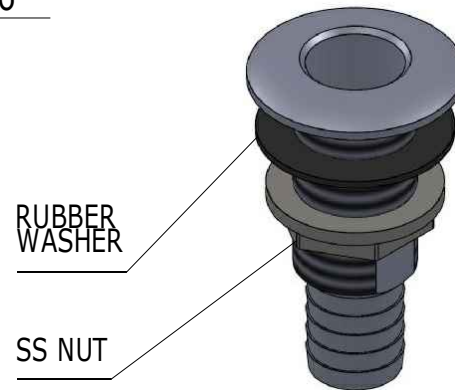
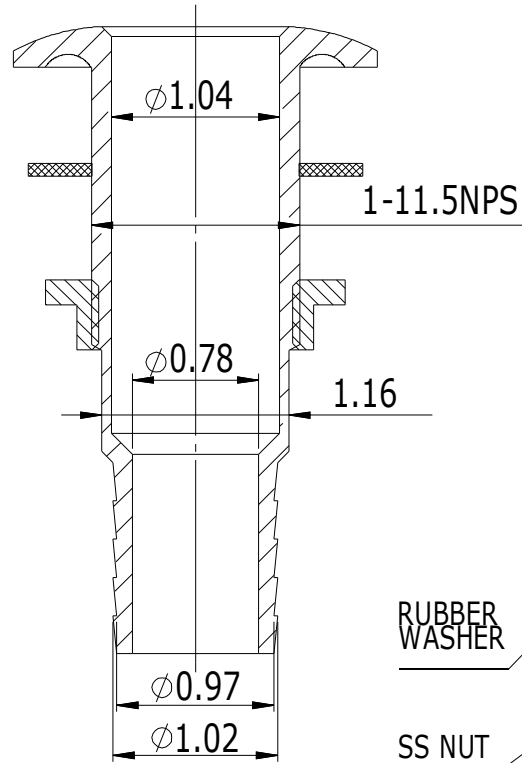


SECTION A-A



| Whitecap | | | |
|-----------------|--------|------|----------|
| Units | Inches | View | |
| P/N | 6548 | | 20180716 |