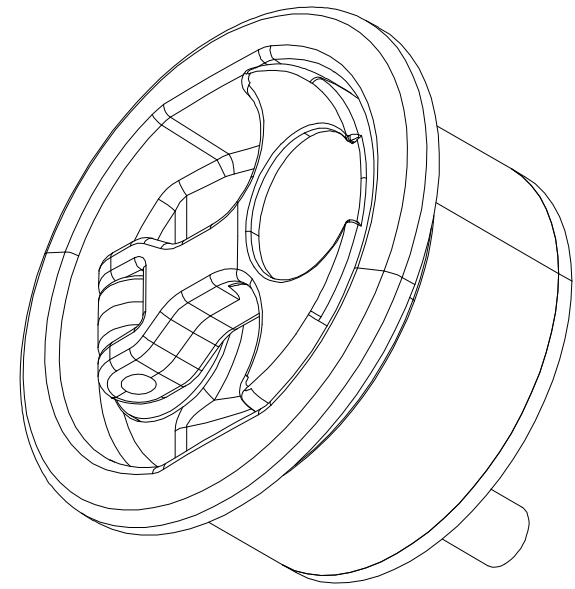
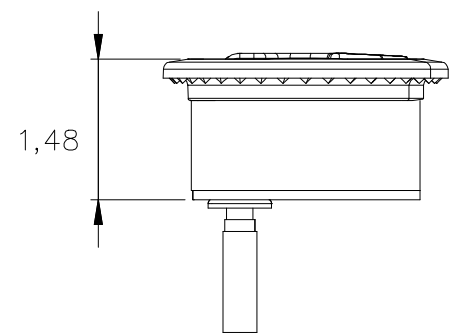


A-A



Whitecap			
Units	INCHES	View	
P/N	3226B		20170826